

Location Designations:

Pad-to-Tank (Designated with 'A' codes)

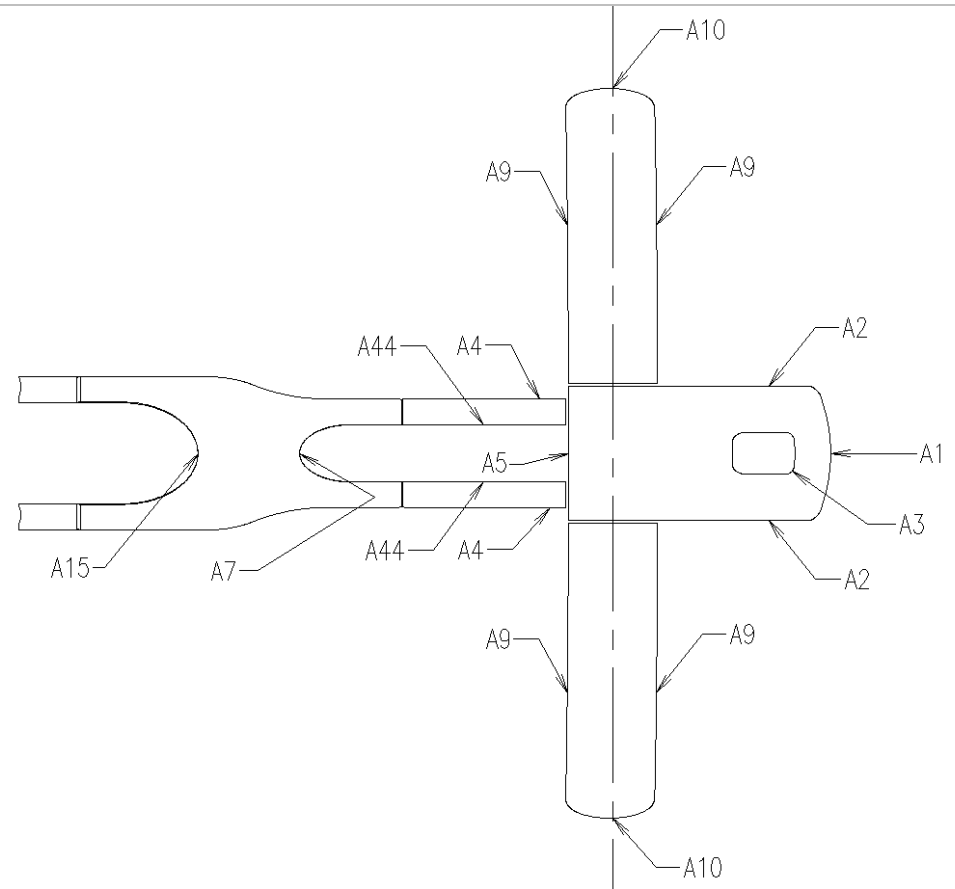
Code	Description	Location	Includes
A1	Outboard sill pad-to-tank transverse weld (outboard).	A- & B-Ends	Full length of weld, including portion around corner of pad.
A2	Front sill pad longitudinal welds	AR, AL, BR, BL	Full length of weld to termination at bolster pad.
A3	Fillet weld in outboard sill pad-to-tank cutout	A- & B-ends	Full length of weld.
A4	Sill reinforcing bars longitudinal weld	AR, AL, BR, BL	6" past the outboard sill pad.
A44	Termination of re-bar to tank longitudinal weld (inside of re-bar)	AR, AL, BR, BL	6" past the outboard sill pad.
A5	Outboard sill pad-to-tank longitudinal weld (inboard)	A- & B-ends	Full length of weld
A7	Inboard sill pad-to-tank weld (transition pad)	A- & B-Ends	Full length of weld
A9	Bolster pad-to-tank transverse weld	ARO, ARI, ALO, ALI, BRO, BRI, BLO, BLI	Full length of weld
A10	Top of bolster pad longitudinal weld	AR, AL, BR, BL	Full length of weld
A15	Inboard sill pad-to-tank weld (transition pad)	A- & B-Ends	Full length of weld

Use the "Generic Tank Head Brace." template for head brace defects.
 Use the "Generic Body Bolster." template for body bolster defects.
 Use the TCID "Record Shell/Sill Damage" button for:

- All parent metal defects.
- All structural defects outside the scope of these templates.

Location Designation:

Sketch/Description:



Sketch/Description:

Sill-to-Pad Welds (Designated with 'B' codes)

Code	Description	Location	Includes
B2	Outboard termination of longitudinal weld (outside of sill).	AR, AL, BR, BL	Last 6" of weld to termination.
B22	Outboard termination of longitudinal weld (inside of sill).	AR, AL, BR, BL	Last 6" of weld.
B4	Inboard termination of longitudinal weld (outside of sill).	AR, AL, BR, BL	Last 6" of weld including any portion of weld that wraps around sill and connects with B4.
B44	Inboard termination of longitudinal weld (inside of sill).	AR, AL, BR, BL	Last 6" of weld

Use the "Generic Tank Head Brace." template for head brace defects.
 Use the "Generic Body Bolster." template for body bolster defects.
 Use the TCID "Record Shell/Sill Damage" button for:

- All parent metal defects.
- All structural defects outside the scope of these templates.

